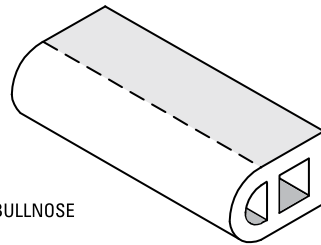
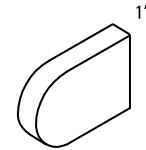


Note: Coring may vary from illustrations. Unglazed setting bed is 3-5/8". All bullnose edges are 1" radius unless otherwise noted.

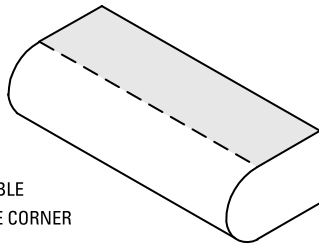
Utility Size, 3-5/8" x 11-5/8" Face



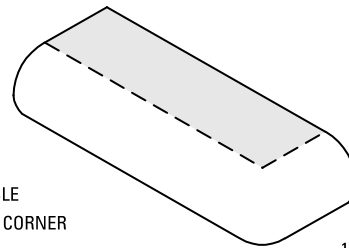
6P/1 DOUBLE BULLNOSE
STRETCHER



6P/3 DOUBLE
BULLNOSE END CAP

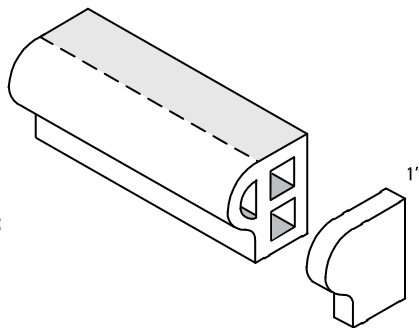


6P/2 DOUBLE
BULLNOSE CORNER



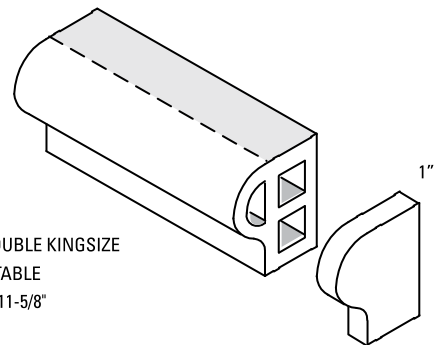
6P/4 DOUBLE
BULLNOSE CORNER

1-13/16" RAD.



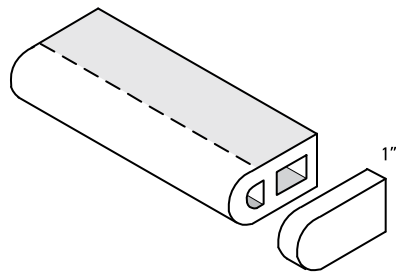
6D/2 DOUBLE MODULAR
WATERTABLE
4-7/8" x 11-5/8"

6D/3 WATERTABLE
END CAP



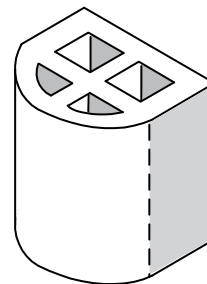
6M/2 DOUBLE KINGSIZE
WATERTABLE
5-5/8" x 11-5/8"

6M/3 WATERTABLE
END CAP



MODULAR
6S/1 DOUBLE BULLNOSE
STRETCHER
2-1/4" x 11-5/8"

6S/3 or 6J/3 DOUBLE
BULLNOSE END CAP



4W/1 DOUBLE
BULLNOSE
COLUMN UNIT
7-5/8" x 7-5/8"